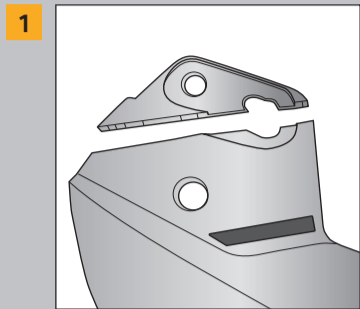
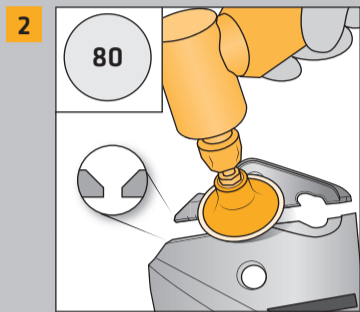


# SIKA PLASTIC ADHESIVE SUPERFAST

## BONDING OF PLASTIC PARTS



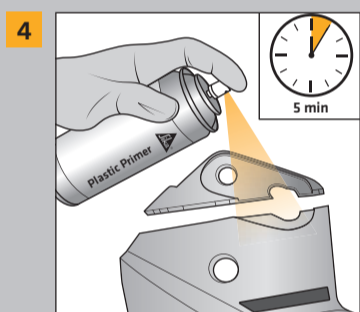
■ Damage: a broken piece of plastic



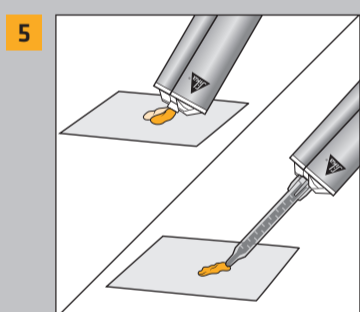
■ Grind a V-groove (1 cm approx.) into the side edges, use 80 grit sandpaper



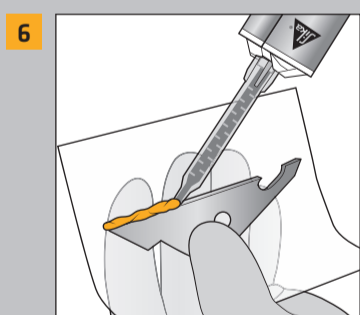
■ Clean entire work area using Sika® Cleaner G+P, making sure the surface is completely dry and no moisture remains



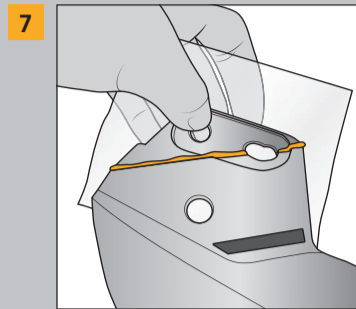
■ Spray a thin coat of Plastic Primer on both sides, flash-off for 5 min<sup>1)</sup>



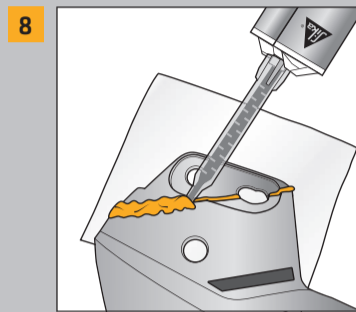
■ Before attaching mixer, extrude some material until both parts A and B flow evenly  
■ Attach static mixer and dispense a small amount of adhesive



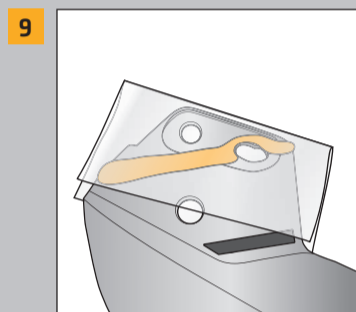
■ Position one part on the Sika Contouring Film and apply Plastic Adhesive Superfast on the breaking point



■ Fix both parts



■ Fill up the break with adhesive



■ Bend the film and compress adhesive and wait for adhesive to be cured according to product label



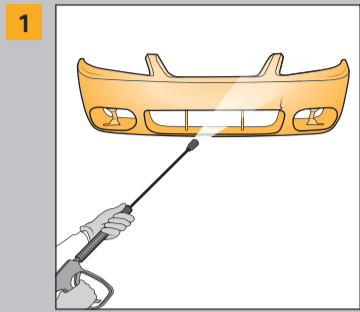
### PLASTIC ADHESIVE SUPERFAST SikaPower®-2955

Article No.	505390
Open Time (23°C)	90 sec
Sanding Time (23°C)	10 min
Content	50 ml + 3 mixers
Mixing Ratio	1:1
Color	Black

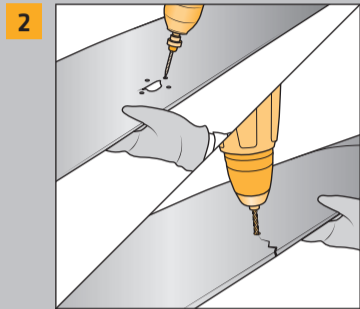
ACCESSORIES	Article No.	Content	Box Content
Sika® Cleaner G+P	527420	500 ml trigger spray	12 pc
SikaPower®-2900 Primer	505295	200 ml aerosol	6 pc
Sika Contouring Film	505296	360 cm	30 pc
Sika Reinforcement Film	505297	360 cm	20 pc
Sika Mixer Quadro	505298	12 pc / bag	20 bags
Sika Dispensing gun	512113	-	1

<sup>1)</sup> All time indications are related to 23°C (ambient and substrate). Product curing behavior is temperature dependent and increases with higher temperature and vice versa. Cure time may be accelerated by applying heat up to 85°C using infrared lamps, heating blankets or ovens. Consult curing information on product label or contact Sika Technical Service.

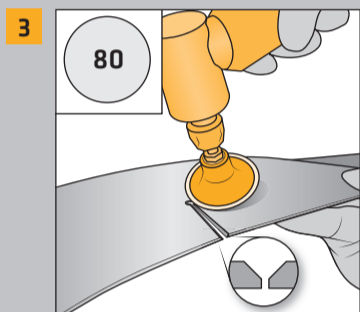
# SIKA PLASTIC ADHESIVE FAST BUMPER AND PLASTIC REPAIR



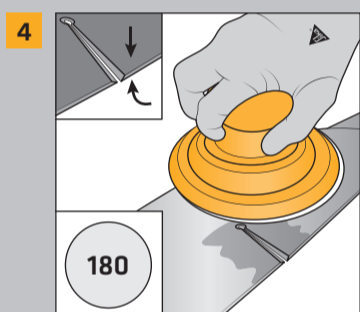
- Rinse plastic part with high pressure



- Crack: Drill hole with a V-cut at the end of the crack
- Hole: Drill few holes with V-neck around the damage



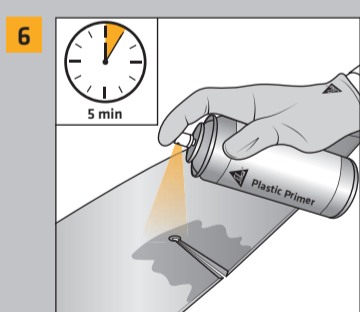
- On the front side grind a V-groove (1 cm approx.) into the side edges, use 80 grit sandpaper for grinding



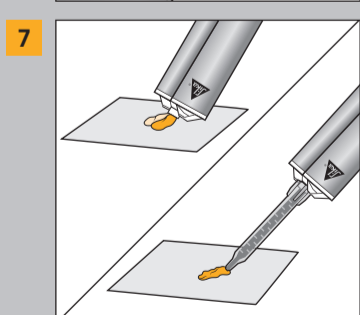
- Roughen the surfaces on the front and back sides with 180 grit sandpaper



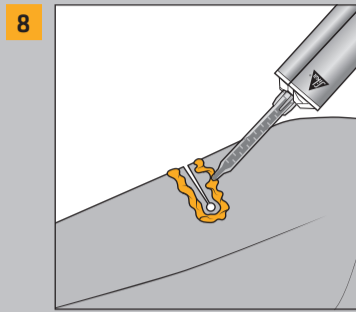
- Clean entire work area using Sika® Cleaner G+P, making sure the surface is completely dry and no moisture remains



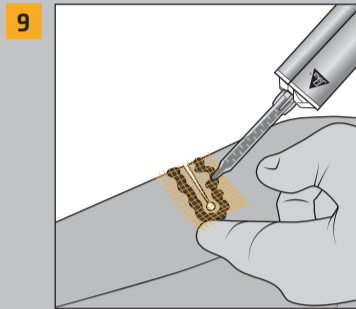
- Spray a thin coat of Plastic Primer on both sides, flash-off for 5 min<sup>1)</sup>



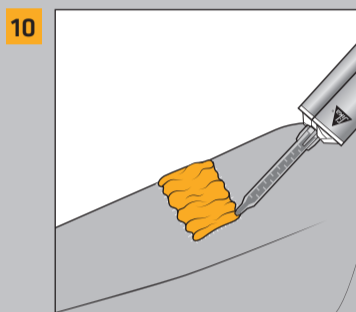
- Before attaching mixer, extrude some material until both parts A and B flow evenly
- Attach static mixer and dispense a small amount of adhesive



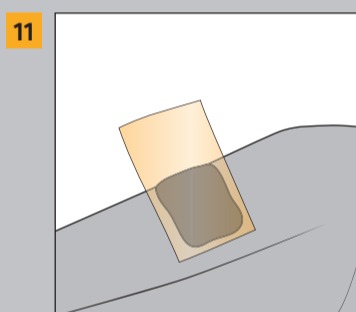
- Apply Plastic Adhesive Fast around the crack to the backside of the part



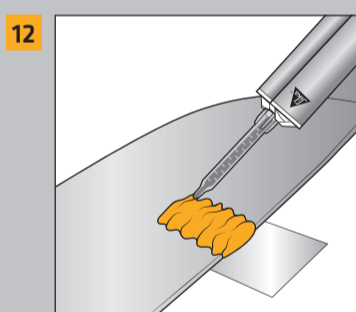
- Position the pre-cut reinforcement film into the applied adhesive



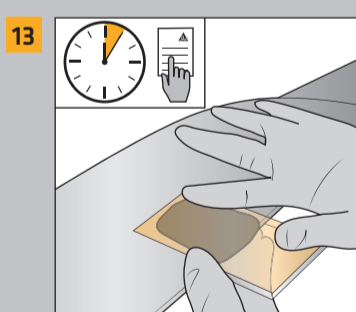
- Apply the adhesive bubble-free on top of the reinforcement film until it is completely covered



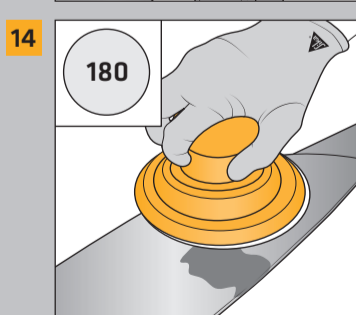
- Spread from the adhesive using the Sika Contouring Film from the middle to the edges to avoid bubbling



- Fill the damaged area on the front side of the part with adhesive



- Spread from the adhesive using the Sika Contouring Film
- Respect curing time<sup>1)</sup> as per product label



- Sand the surface and proceed with filling and painting



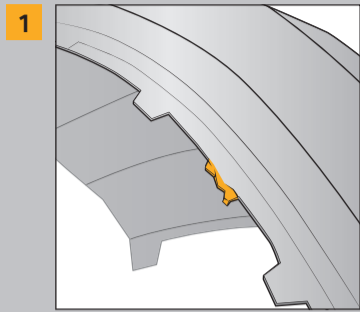
## PLASTIC ADHESIVE FAST SikaPower®-2950

Article No.	505377
Open Time (23°C)	3.5 min
Sanding Time (23°C)	30 min
Content	50 ml + 3 mixers
Mixing Ratio	1:1
Color	Black

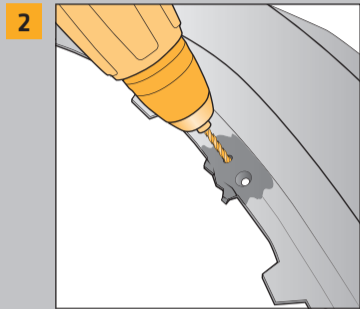
ACCESSORIES	Article No.	Content	Box Content
Sika® Cleaner G+P	527420	500 ml trigger spray	12 pc
SikaPower®-2900 Primer	505295	200 ml aerosol	6 pc
Sika Contouring Film	505296	360 cm	30 pc
Sika Reinforcement Film	505297	360 cm	20 pc
Sika Mixer Quadro	505298	12 pc / bag	20 bags
Sika Dispensing gun	512113	-	1

<sup>1)</sup> All time indications are related to 23°C (ambient and substrate). Product curing behavior is temperature dependent and increases with higher temperature and vice versa. Cure time may be accelerated by applying heat up to 85°C using infrared lamps, heating blankets or ovens. Consult curing information on product label or contact Sika Technical Service.

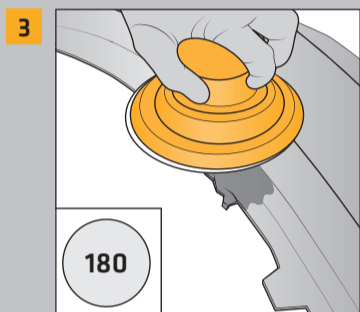
# SIKA PLASTIC ADHESIVE SUPERFAST RE-SHAPE AND MODEL PLASTIC CLIPS



■ Damage: a broken plastic clip



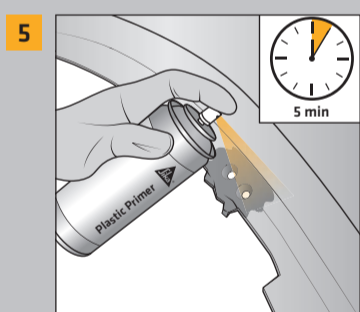
■ Drill few holes with V-Neck



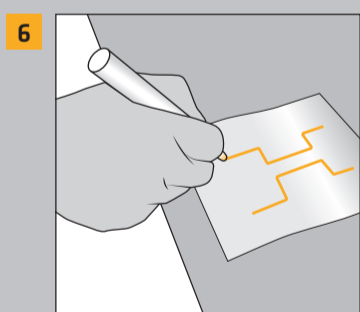
■ Sand the area around the broken clip use 180 grit sandpaper



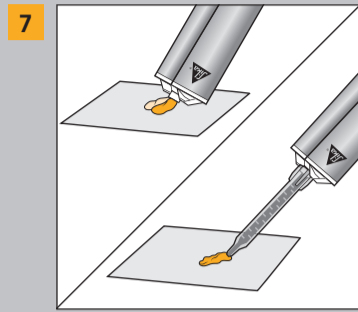
■ Clean entire work area using Sika® Cleaner G+P, making sure the surface is completely dry and no moisture remains



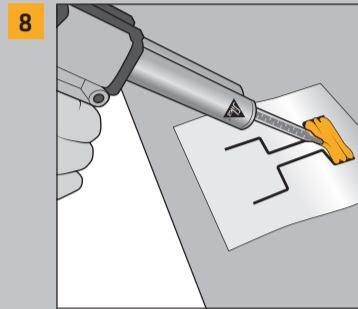
■ Spray a thin coat of Plastic Primer on both sides, flash-off for 5 min<sup>1)</sup>



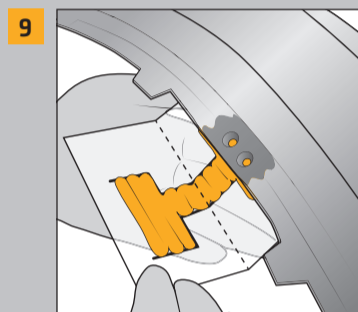
■ Draw the shape of the clip and bonding-areas on the Sika Contouring Film



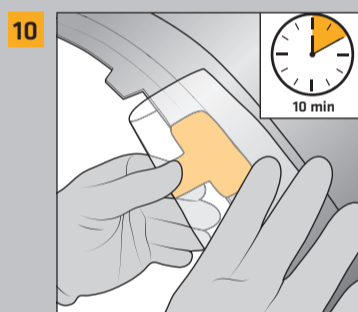
■ Before attaching mixer, extrude some material until both parts A and B flow evenly  
■ Attach static mixer and dispense a small amount of adhesive



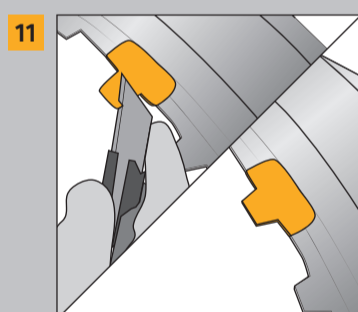
■ Apply Plastic Adhesive Superfast within the prefigured area



■ Press adhesive on the backside of the area and bend it in the middle



■ Press other side on the top and wait for curing



■ After curing, cut the new clip to required shape



## PLASTIC ADHESIVE SUPERFAST SikaPower®-2955

Article No.	505390
Open Time (23°C)	90 sec
Sanding Time (23°C)	10 min
Content	50 ml + 3 mixers
Mixing Ratio	1:1
Color	Black

ACCESSORIES	Article No.	Content	Box Content
Sika® Cleaner G+P	527420	500 ml trigger spray	12 pc
SikaPower®-2900 Primer	505295	200 ml aerosol	6 pc
Sika Contouring Film	505296	360 cm	30 pc
Sika Reinforcement Film	505297	360 cm	20 pc
Sika Mixer Quadro	505298	12 pc / bag	20 bags
Sika Dispensing gun	512113	-	1

<sup>1)</sup> All time indications are related to 23°C (ambient and substrate). Product curing behavior is temperature dependent and increases with higher temperature and vice versa. Cure time may be accelerated by applying heat up to 85°C using infrared lamps, heating blankets or ovens. Consult curing information on product label or contact Sika Technical Service.

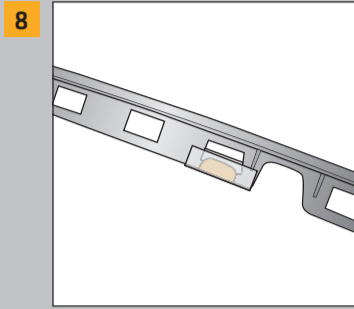
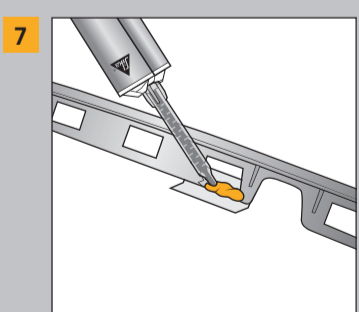
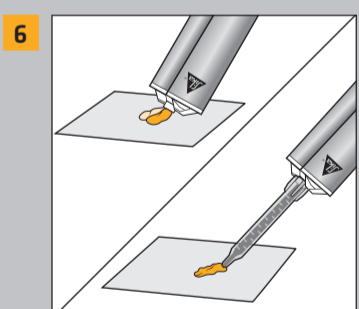
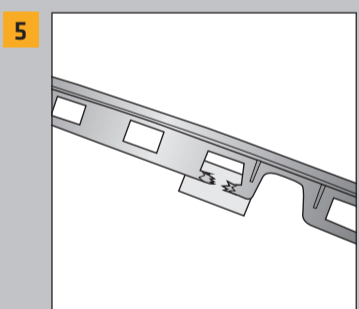
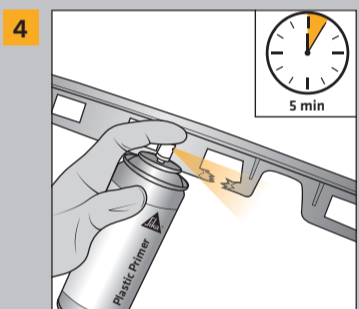
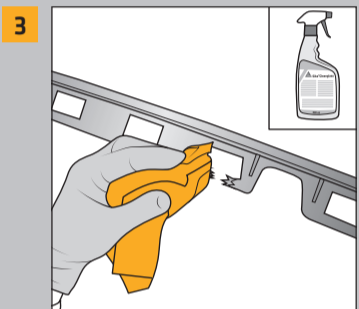
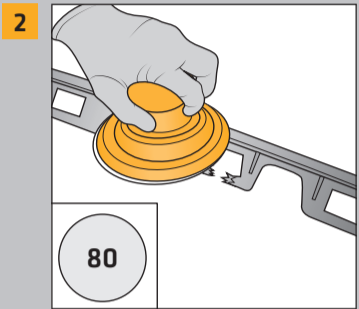
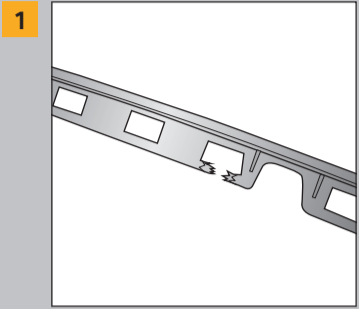
Our most current General Sales Conditions shall apply. Please consult our most current local Data Sheet prior to any use or processing.

[www.sika.com/aftermarket](http://www.sika.com/aftermarket)

**BUILDING TRUST**



# SIKA PLASTIC ADHESIVE SUPERFAST RE-BUILD A BROKEN EYELET



■ Damage: a broken eyelet

■ Sand the edges, use 80 grit sandpaper for grinding

■ Clean entire work area using Sika® Cleaner G+P, making sure the surface is completely dry and no moisture remains

■ Spray a thin coat of Plastic Primer on both sides, flash-off for 5 min<sup>1)</sup>

■ Put some tape behind the gap to be bridged

■ Before attaching mixer, extrude some material until both parts A and B flow evenly  
■ Attach static mixer and dispense a small amount of adhesive

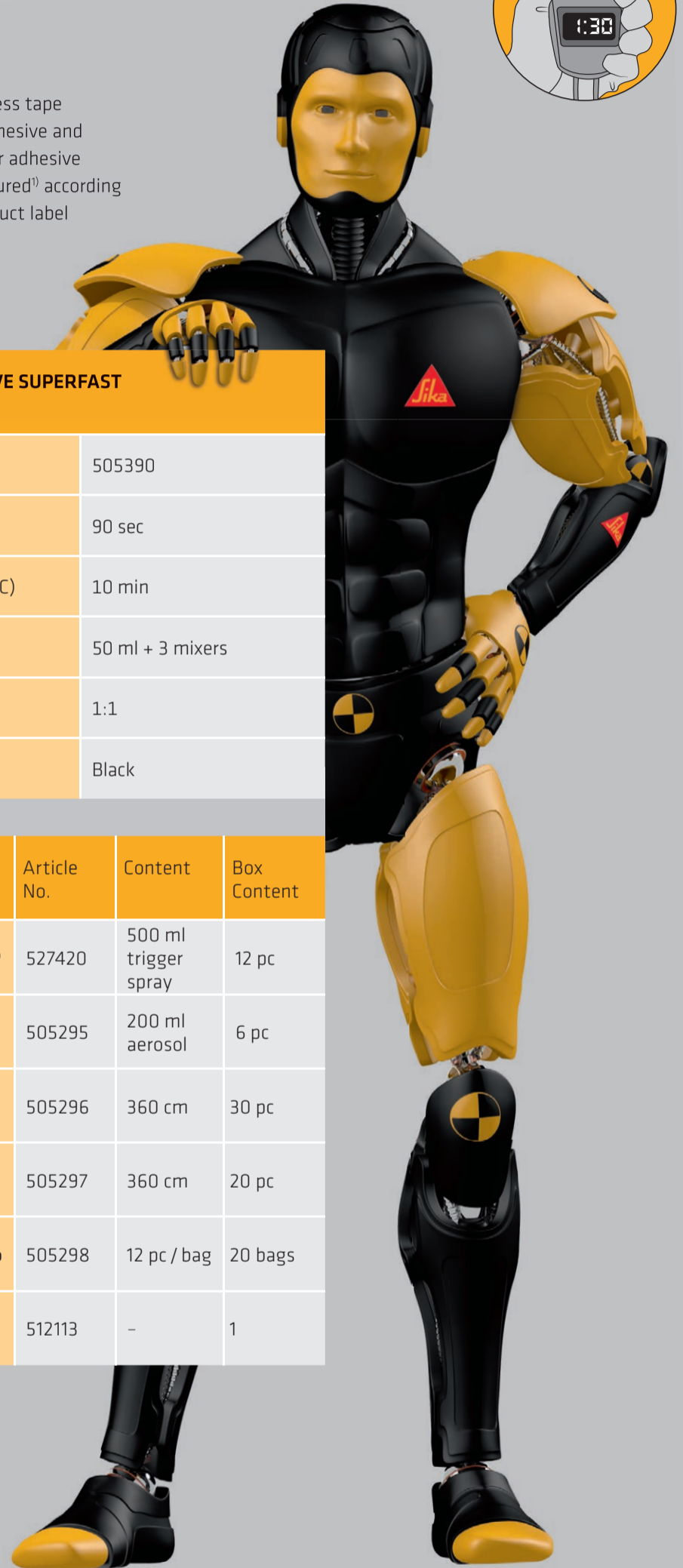
■ Fill the gap with Plastic Adhesive Superfast

■ Compress tape and adhesive and wait for adhesive to be cured<sup>1)</sup> according to product label

## PLASTIC ADHESIVE SUPERFAST SikaPower®-2955

Article No.	505390
Open Time (23°C)	90 sec
Sanding Time (23°C)	10 min
Content	50 ml + 3 mixers
Mixing Ratio	1:1
Color	Black

ACCESSORIES	Article No.	Content	Box Content
Sika® Cleaner G+P	527420	500 ml trigger spray	12 pc
SikaPower®-2900 Primer	505295	200 ml aerosol	6 pc
Sika Contouring Film	505296	360 cm	30 pc
Sika Reinforcement Film	505297	360 cm	20 pc
Sika Mixer Quadro	505298	12 pc / bag	20 bags
Sika Dispensing gun	512113	-	1



<sup>1)</sup> All time indications are related to 23°C (ambient and substrate). Product curing behavior is temperature dependent and increases with higher temperature and vice versa. Cure time may be accelerated by applying heat up to 85°C using infrared lamps, heating blankets or ovens. Consult curing information on product label or contact Sika Technical Service.

Our most current General Sales Conditions shall apply.  
Please consult our most current local Data Sheet prior to any use or processing.

[www.sika.com/aftermarket](http://www.sika.com/aftermarket)

**BUILDING TRUST**

